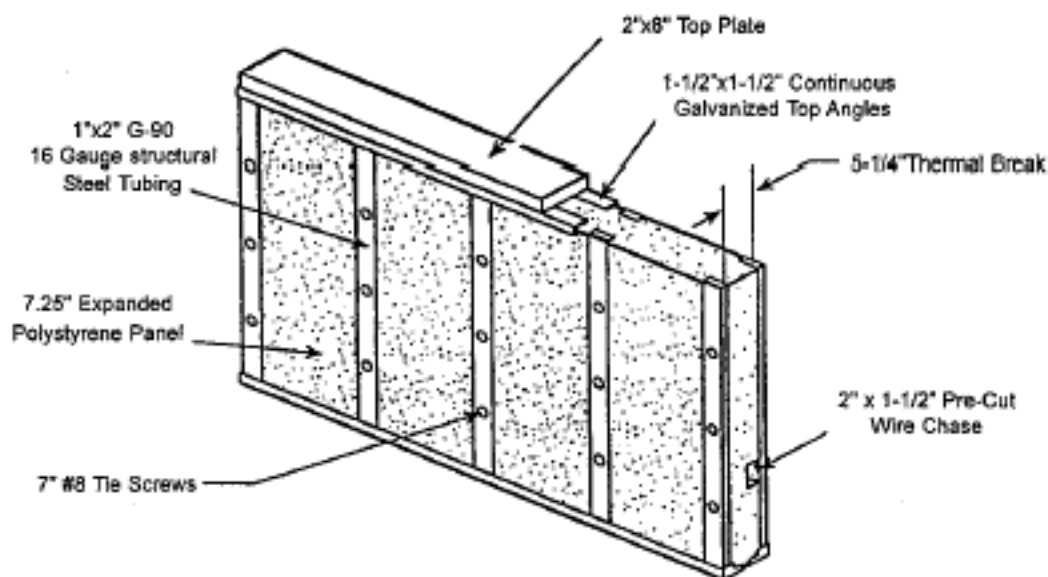


GENERAL DESCRIPTION

THERMOTECH 21™, manufactured by Techbuilt Inc. — is a state-of-the-art, fully engineered structural building system incorporating tubular steel and expanded polystyrene, which provides a complete wall or roof sub-system. The polystyrene foam provides unparalleled insulating values as well as superior fire safety characteristics.

THERMOTECH 21™ panels do not support fungus, bacteria growth, or microorganisms, and have no nutritional value for pest or termites. Additionally, THERMOTECH 21™ is both highly resistant to mildew and will not rot.

Strength and rigidity are produced by 1" x 2" 18 gaug galvanized steel tubes. Tubes are recessed in the polystyrene on both the interior and the exterior side and secured with self-tapping screws. Additional support is provided by base and top angles of 1 gauge steel. Steel structural members eliminates the problems of warp, twisting, bowing, moisture content, rot and waste associated with conventional wood construction. Moreover, galvanized steel structure members provide the confidence and security of corrosion resistant metal.



Typical Wall Panel Elevation

APPLICATIONS

THERMOTECH 21™ panels provide an alternative to conventional studwall and rafter systems in both residential and commercial applications. This system offers superior strength, unprecedented insulating performance, and ease of installation. Panels up to 40 feet in length are joined at the

plate to produce an extremely strong wall system. Roof loads are carried by ridge and purlin laminated beams as well as intersecting wall plates. Corners are further stabilized, both interior and exterior, by steel angles and brackets tec-screwed to the 1" x 2" steel support members.